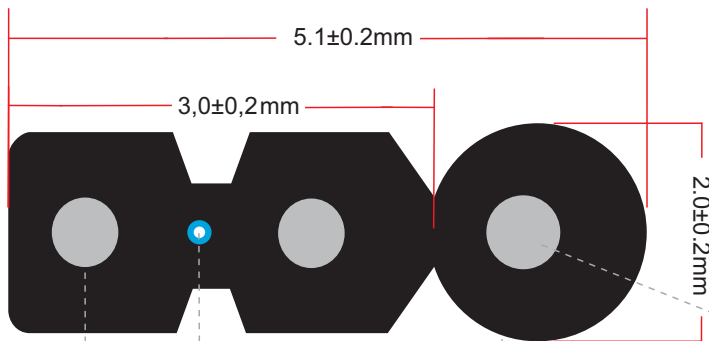


# CABO ÓPTICO DROP COMPACTO FIG.8 METÁLICO CONVENCIONAL G657A2 BOBINA 1000M ou 2000M

Fiber Optic Cable Drop Auto Sustained G657A2 CONVENTIONAL  
Coil with 1000 meters or 2000 meters

## CFOAC-BLI A/B-CM-01F-CO-LSZH



Elemento de Sustentação fio de aço 1,0±0.02mm  
Element for Sustainability steel wire 1,0±0.02mm

Fibra Óptica  
Optical fiber

Revestimento  
revetment  
(LSZH)

Elemento de tração 0,40±0.02mm  
Steel strength member 0,40±0.02mm

CÓDIGO/CODE: CAFB-657A/CO - CAFB-657A/CO2

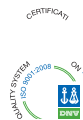
	Fiber Parameters		Unit	Specification
				BLI A/B G657A2
1	ModeField Diameter	1310nm	µm	8.6±0.4
		1550nm	µm	9.6 ±0.4
2	Cladding Diameter		µm	125 ±0.2
3	Cladding Non-Circularity		%	=0.7
4	Core-Cladding Concentricity		µm	=0.5
5	Coating Diameter		µm	242±5
6	Coating Non-Circularity		%	=6.0
7	Cladding-Coating Concentricity Error		µm	≤12
8	Cable Cutoff Wavelength		nm	λ <sub>cc</sub> =1260
9	Attenuation(max.)	1310nm	dB/km	≤0,32
		1550nm	dB/km	≤0,19
10	Macro-Bending Loss	1turn×7,5mm radius @1550nm	dB	=0.4
		1turn×7,5mm radius @1625nm	dB	=0.8
Cable Parameters			Specifications	
Fiber Count			1	
Colored Coating Fiber	Dimension	250±15µm		
	Color	Blue		
Strength Member	Dimension	2x0.40mm		
	Material	Steel wire phosphated		
SelfSupporting Member	Dimension	1x1.0mm		
	Material	Steel wire phosphated		
Jacket	Dimension	5.1±0.1mm×2.0±0.1mm		
	Material	LSZH		
	Color	Black		
Mechanical and Environmental Characteristics			Unit	Specifications
Tension ( Long Term)			N	660
Tension ( Short Term)			N	1000
Crush ( Long Term)			N/10cm	1000
Crush ( Short Term)			N/10cm	2200
Min. Bend Radius( Dynamic)			mm	20D
Min. Bend Radius( Static)			mm	10D
Conventional friction				≤0.48
Installation Temperature				-20~+65
Operating Temperature				-40~+70

Administrativo e Assistência Técnica:  
Proqualit Telecom LTDA - CNPJ: 68.389.097/0001-00  
Condomínio Vale Industrial Paulista  
Rodovia Geraldo Scavone, 2730 - Rua Dois nº 201  
Jardim Califórnia | CEP 12.305-490 | Jacarel - SP - Brasil  
+55 11 4693-9300  
proeletronic@proeletronic.com.br

Unidade Fabril MG:  
Proqualit Telecom LTDA - CNPJ: 68.389.097/0003-71  
Avenida João XXIII, 1300 - Bloco 1  
CEP 37.600-000 | Paraisópolis - MG - Brasil  
+55 35 3651-3112

**ANATEL**  
Nº do certificado  
03752-18-10390

**PROE**  
ELETRONIC



www.proeletronic.com.br